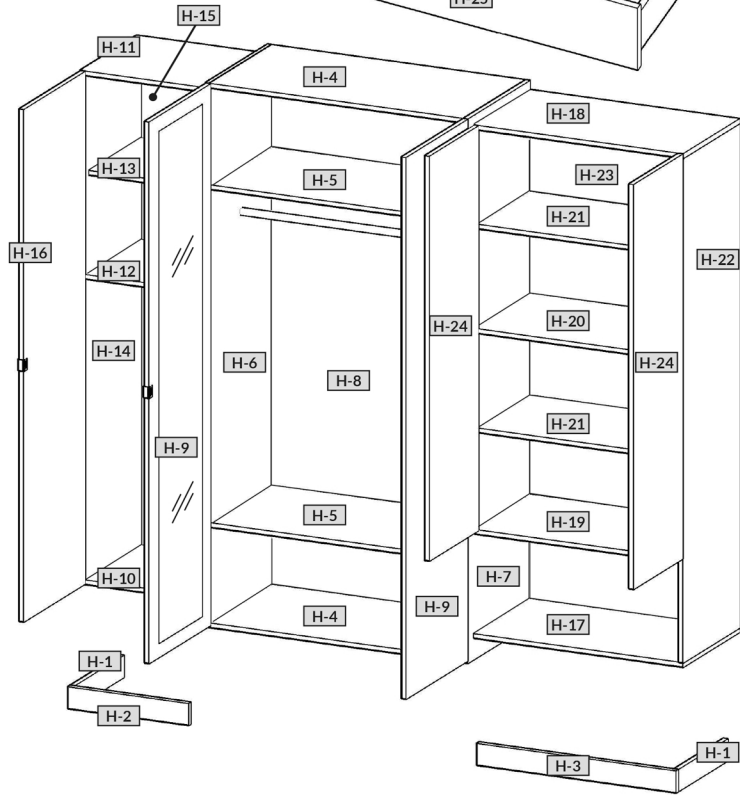
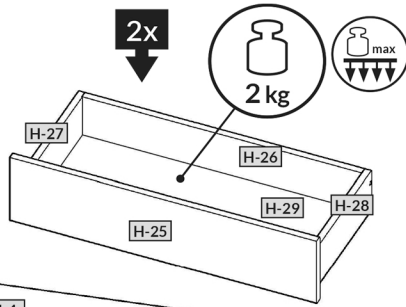
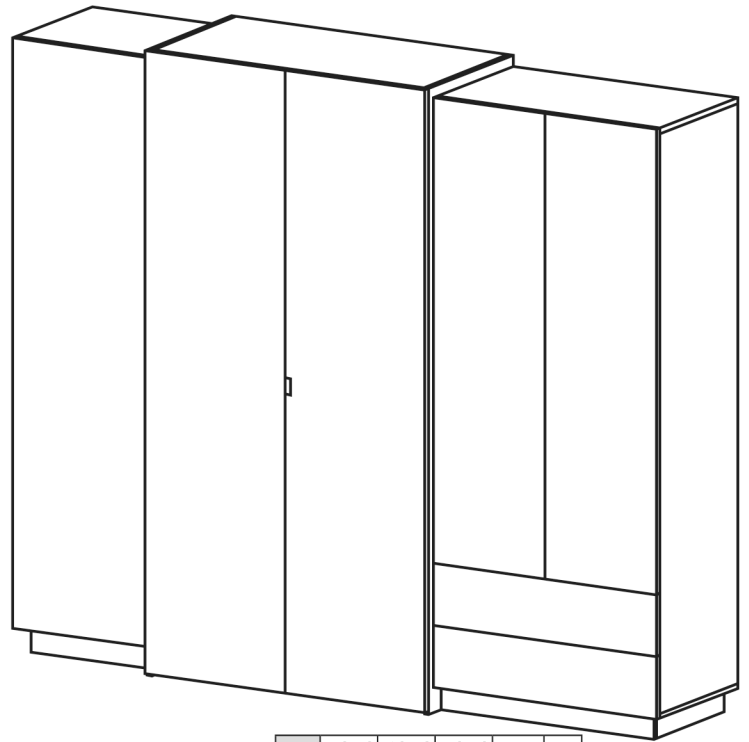
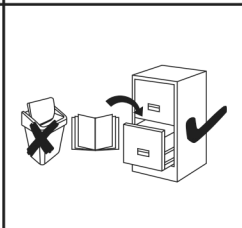
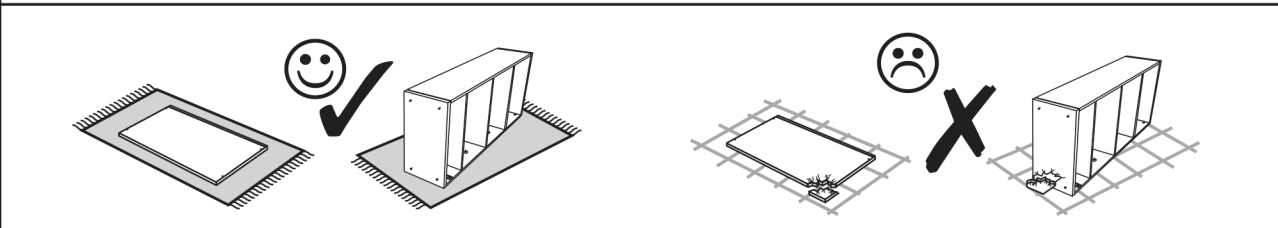
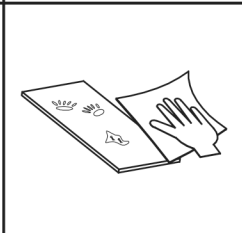
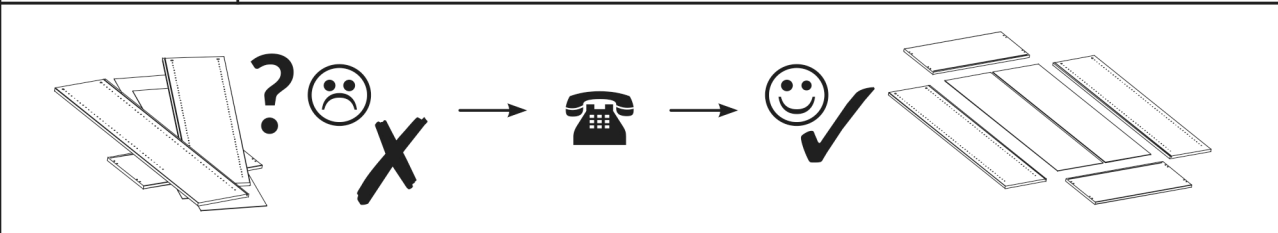
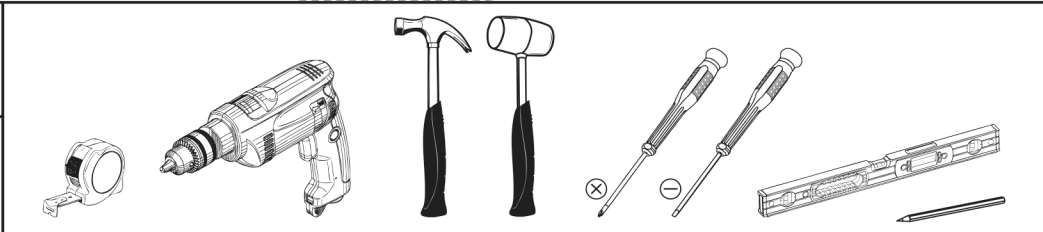
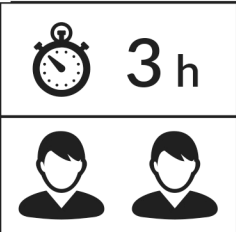
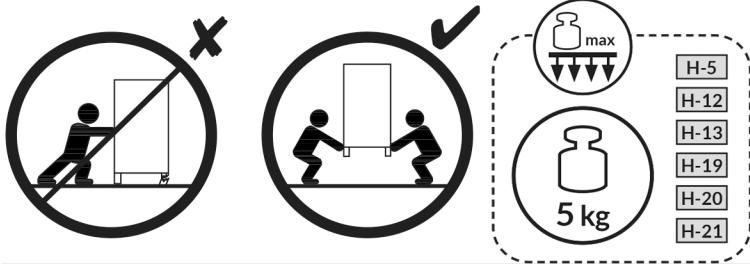
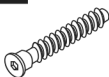
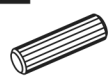

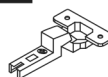
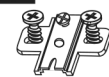



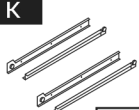
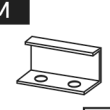
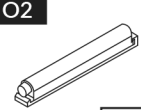
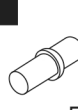


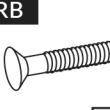

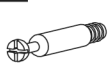
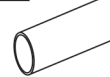

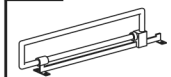
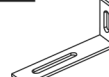

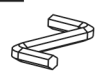




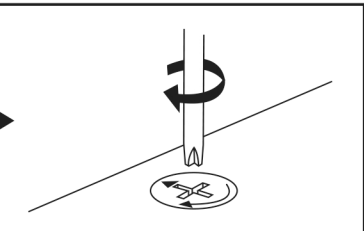
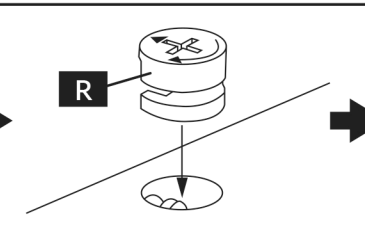
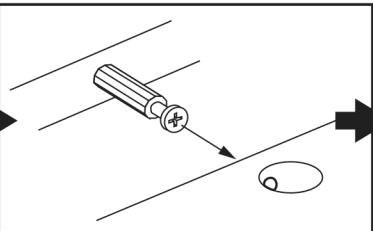
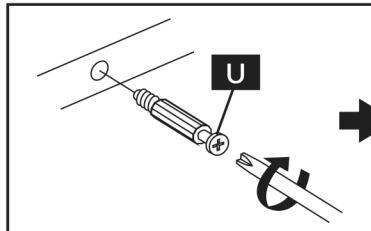
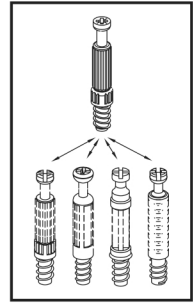
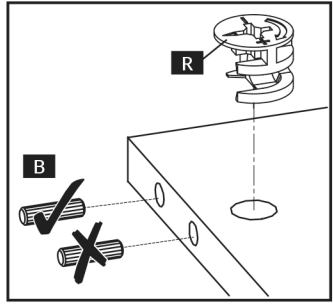
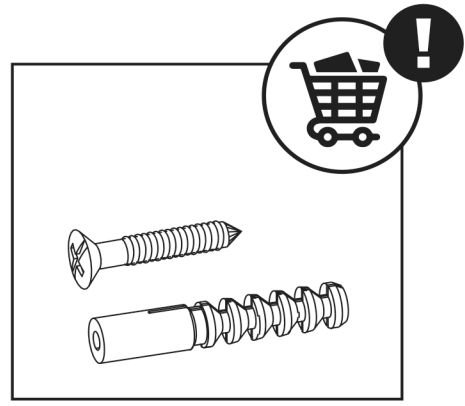
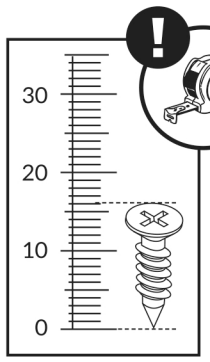
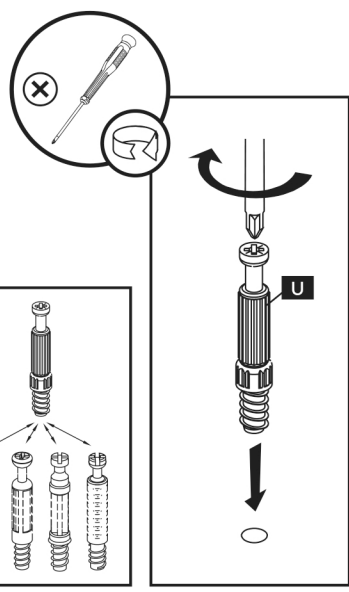
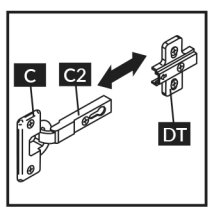
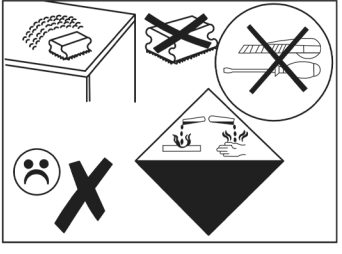
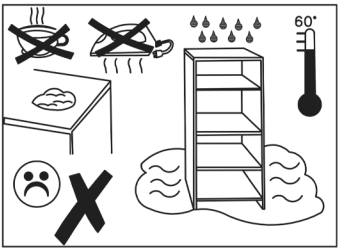
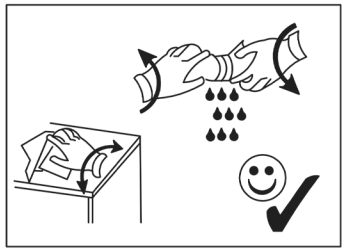
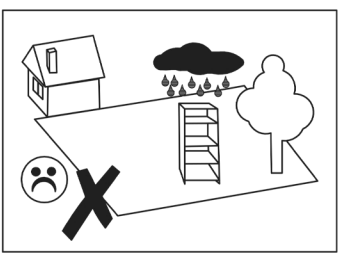
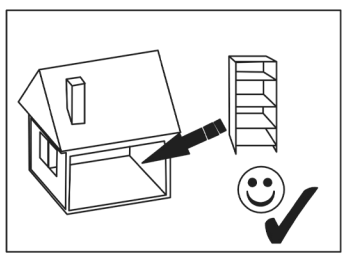
TRIO A



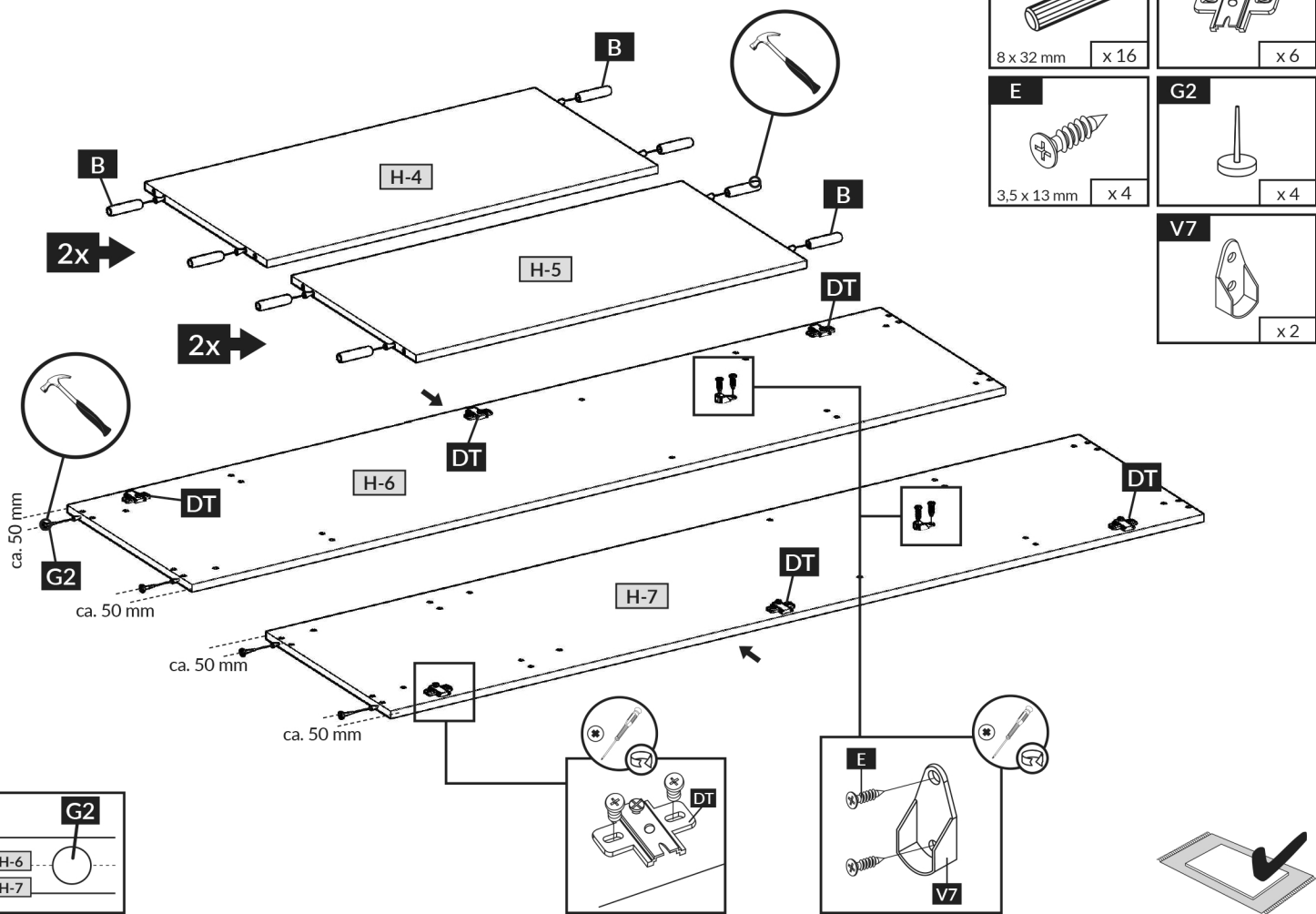
| nr | ↔ [mm] | ↓ [mm] | ↗ [mm] | Menge | Colli |
|------|--------|--------|--------|-------|-------|
| H-1 | 415 | 80 | 16 | x2 | 3/4 |
| H-2 | 460 | 80 | 16 | x1 | 4/4 |
| H-3 | 760 | 80 | 16 | x1 | 3/4 |
| H-4 | 968 | 500 | 16 | x2 | 3/4 |
| H-5 | 968 | 490 | 16 | x2 | 3/4 |
| H-6 | 2018 | 500 | 16 | x1 | 3/4 |
| H-7 | 2018 | 500 | 16 | x1 | 3/4 |
| H-8 | 2015 | 982 | 3 | x1 | 4/4 |
| H-9 | 2008 | 496 | 16 | x2 | 4/4 |
| H-10 | 500 | 455 | 16 | x1 | 4/4 |
| H-11 | 500 | 455 | 16 | x1 | 4/4 |
| H-12 | 484 | 455 | 16 | x1 | 4/4 |
| H-13 | 484 | 425 | 16 | x1 | 4/4 |
| H-14 | 1872 | 455 | 16 | x1 | 1/4 |
| H-15 | 1898 | 504 | 3 | x1 | 3/4 |
| H-16 | 1900 | 496 | 16 | x1 | 4/4 |
| H-17 | 800 | 455 | 16 | x1 | 1/4 |
| H-18 | 800 | 455 | 16 | x1 | 1/4 |
| H-19 | 784 | 455 | 16 | x1 | 1/4 |
| H-20 | 784 | 455 | 16 | x1 | 1/4 |
| H-21 | 784 | 425 | 16 | x2 | 2/4 |
| H-22 | 1872 | 455 | 16 | X1 | 1/4 |
| H-23 | 1898 | 805 | 3 | x1 | 3/4 |
| H-24 | 1500 | 396 | 16 | x2 | 2/4 |
| H-25 | 796 | 196 | 16 | x2 | 2/4 |
| H-26 | 727 | 120 | 16 | x2 | 2/4 |
| H-27 | 450 | 120 | 16 | x2 | 1/4 |
| H-28 | 450 | 120 | 16 | x2 | 1/4 |
| H-29 | 757 | 456 | 3 | x2 | 1/4 |



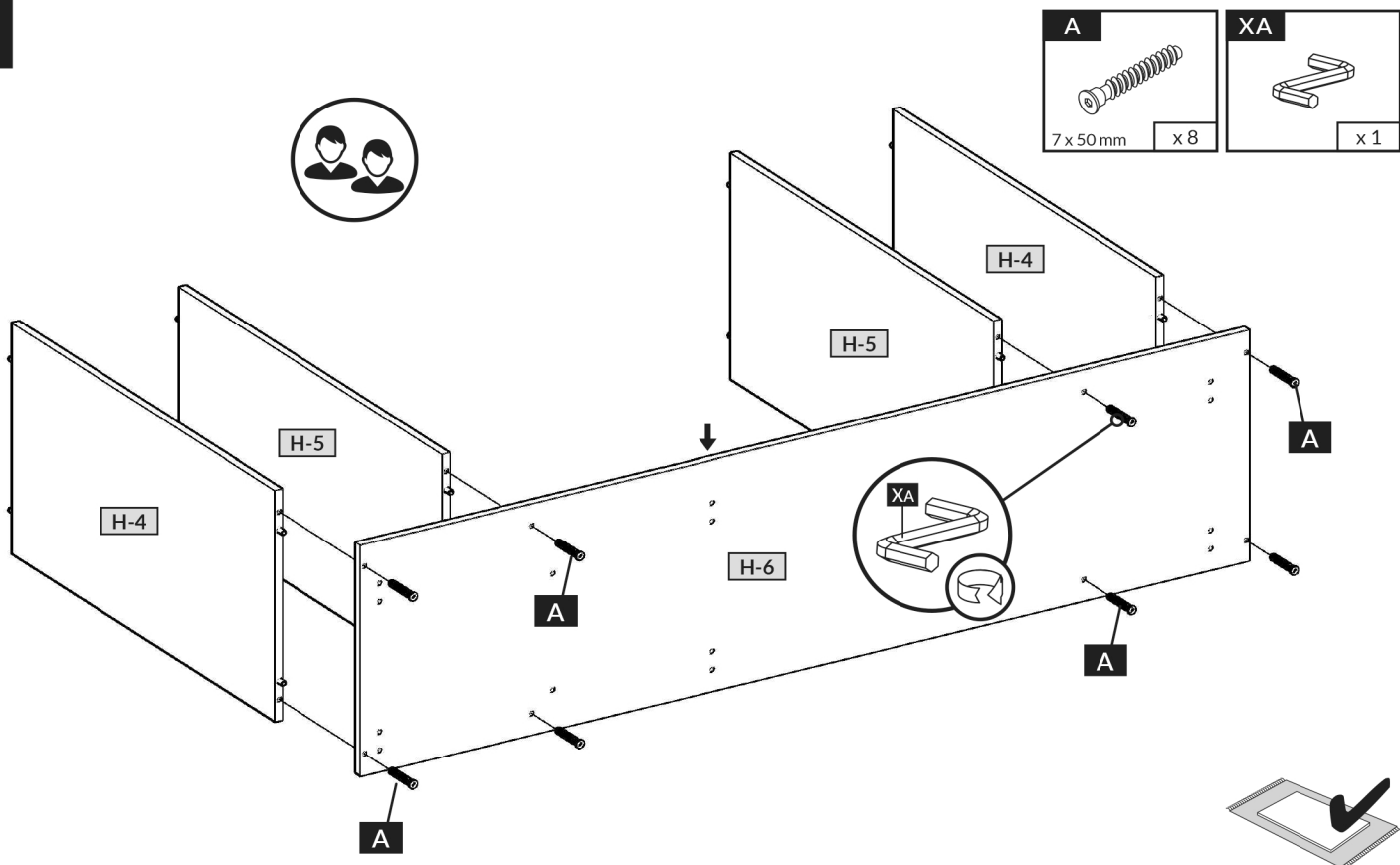
| | | | | | | | |
|--|--|--|---|---|---|--|---|
| A  7 x 50 mm x 46 | B  8 x 32 mm x 54 | C  (P) x 11 | C2  (Z) x 2 | DT  x 13 | E  3,5 x 13 mm x 43 | E2  3 x 20 mm x 121 | G2  x 12 |
| K  L=450 mm x 2 | M  x 2 | O2  x 4 | P  x 12 | Q2  Ø 20 x 22 | R  H=11 mm x 10 | RB  x 8 | T3  5 x 9 mm x 16 |
| U  L=24,3 mm x 10 | V0  L=960 mm x 1 | V7  x 2 | V12  L=400 mm x 1 | W1  x 1 | W14  L=450 mm x 2 | XA  x 1 | ZA  Ø 4 x 32 |
| ZR  Ø 15 x 10 | | | | | | | |



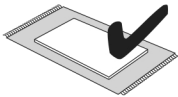
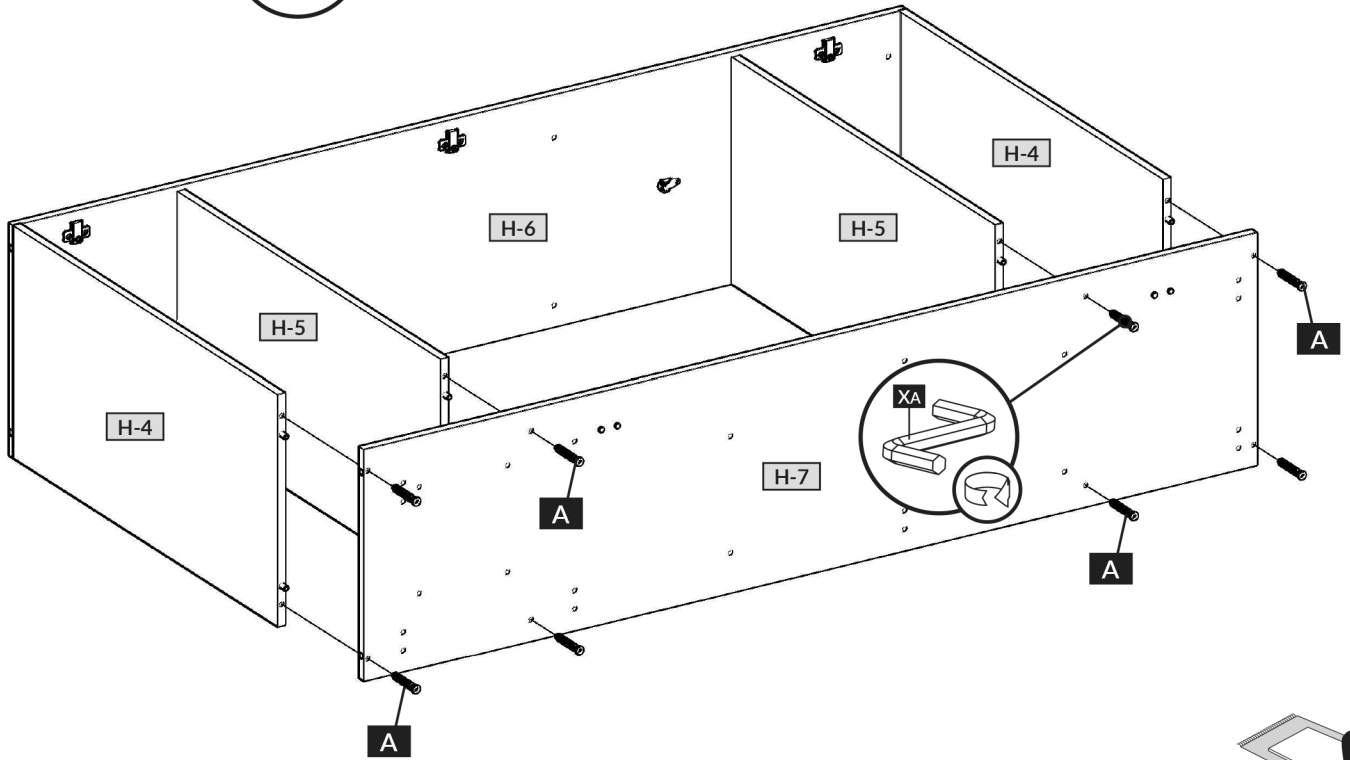
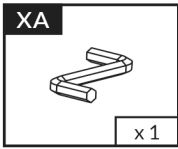
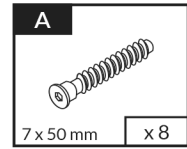
1



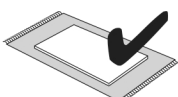
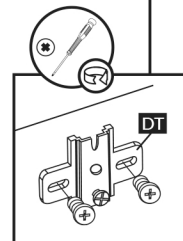
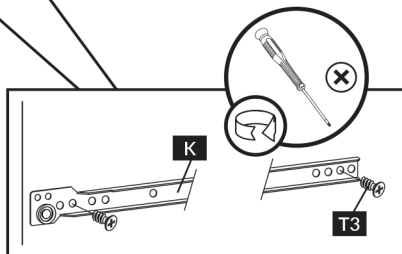
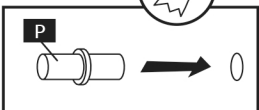
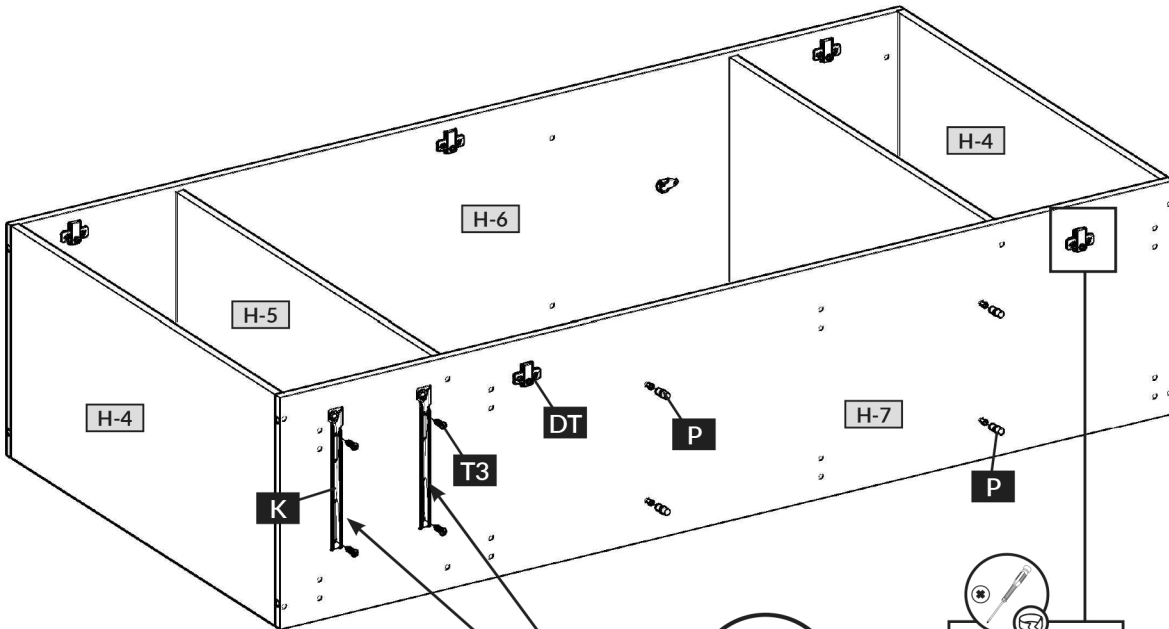
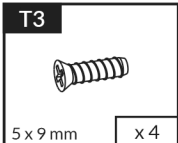
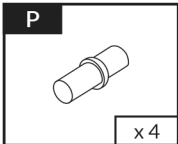
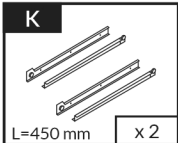
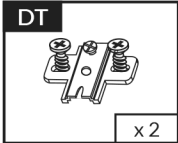
2



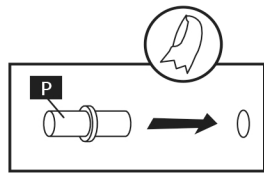
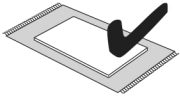
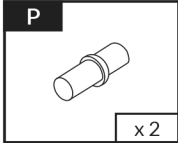
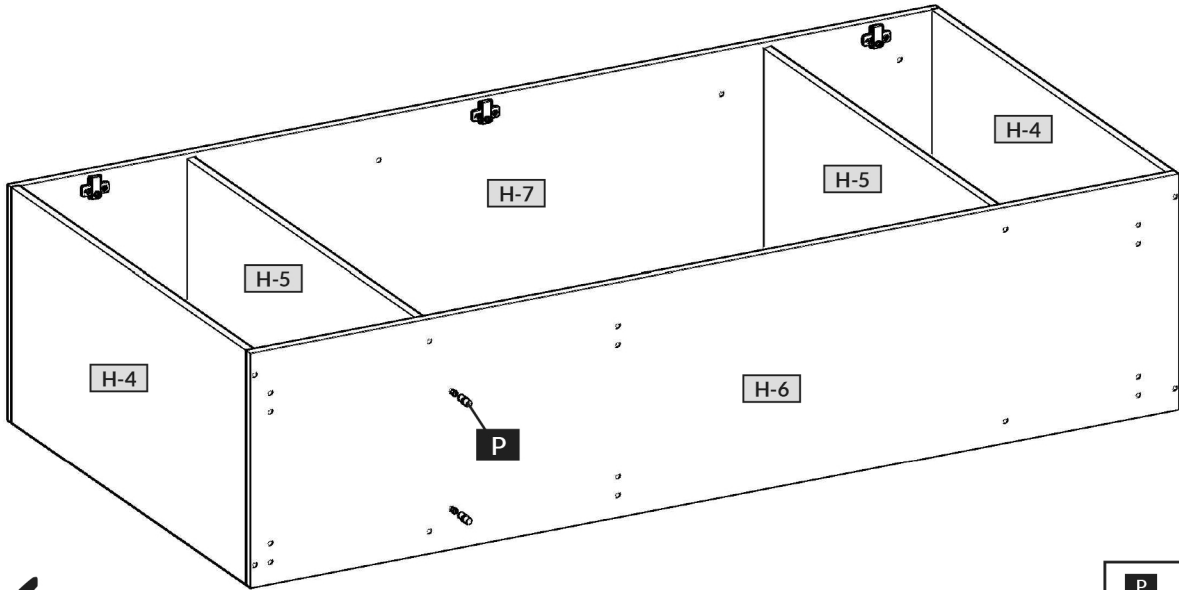
3



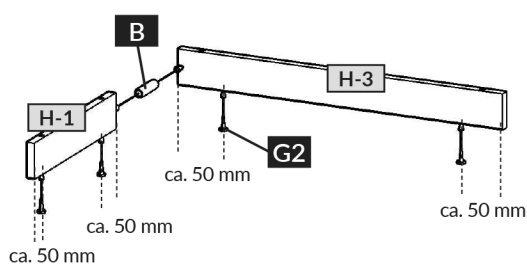
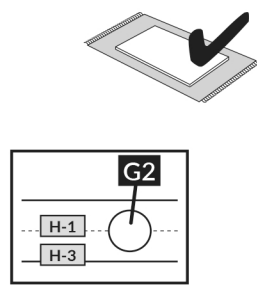
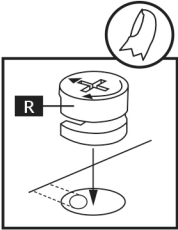
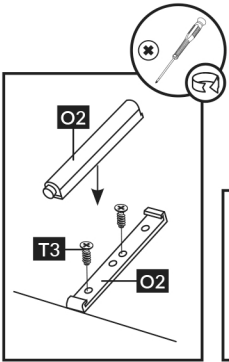
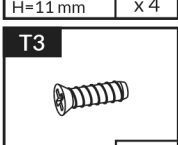
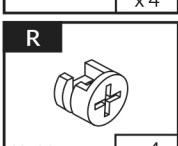
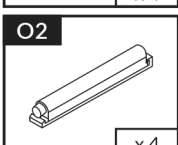
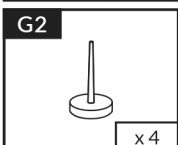
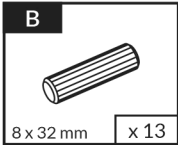
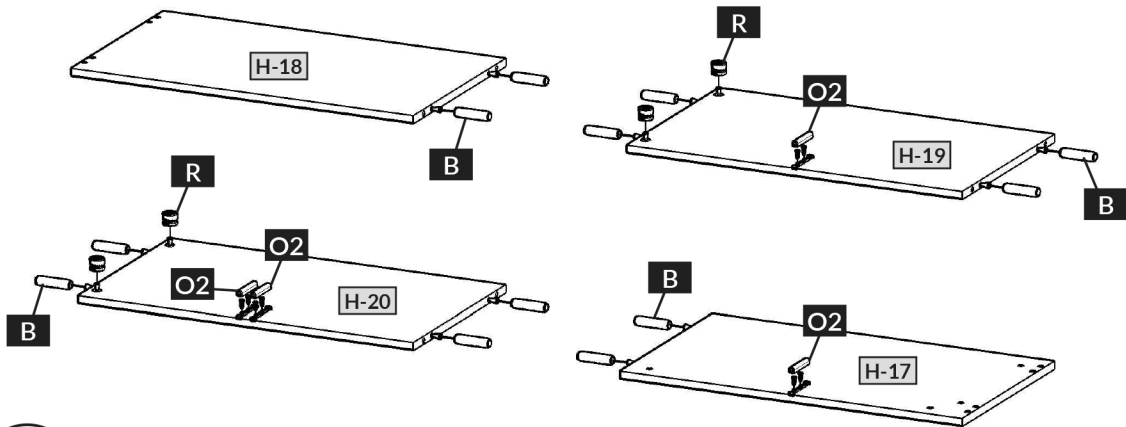
4



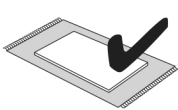
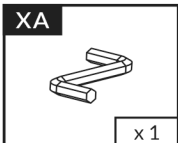
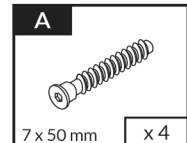
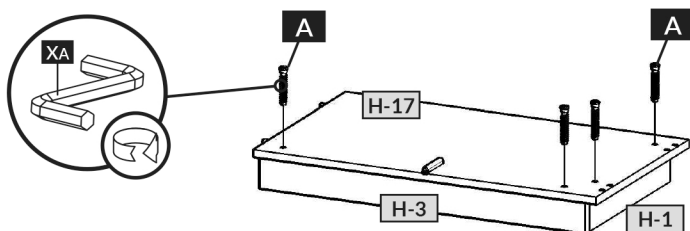
5



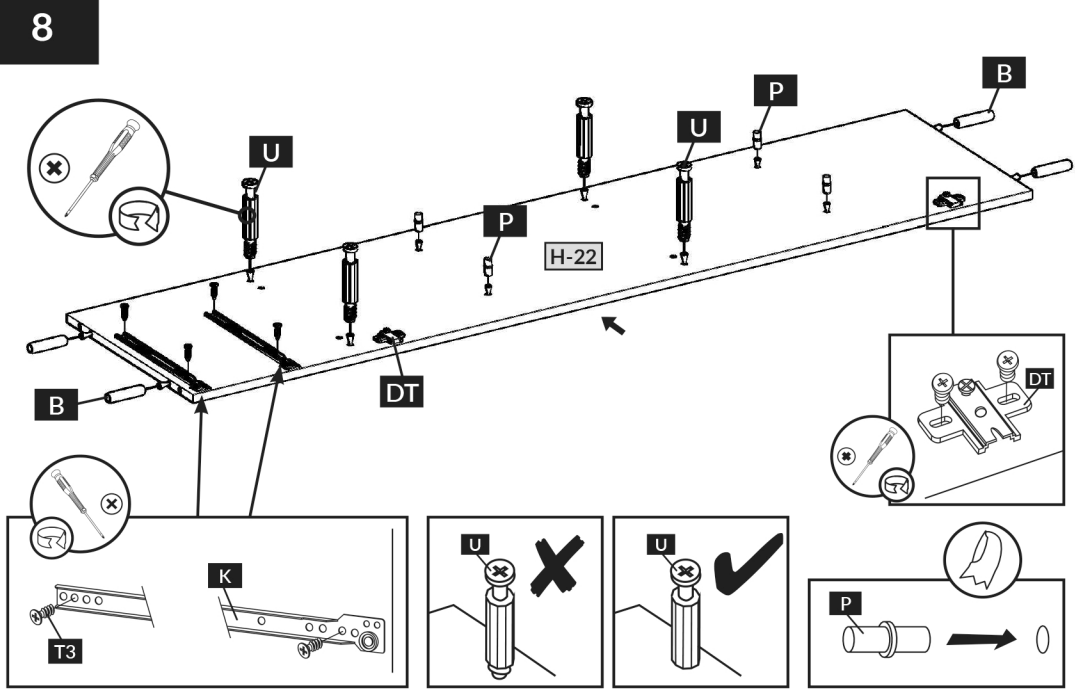
6



7

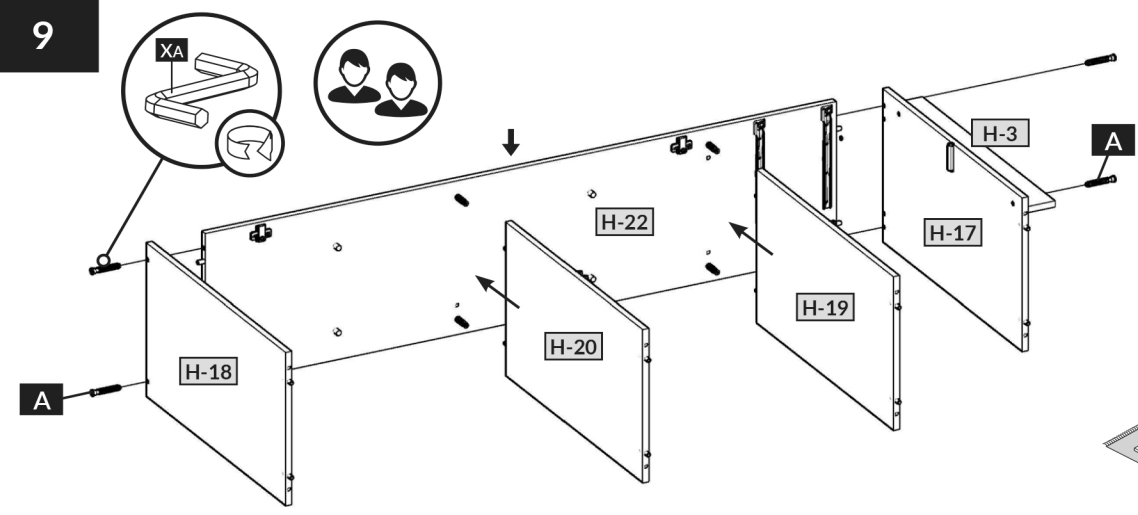


8



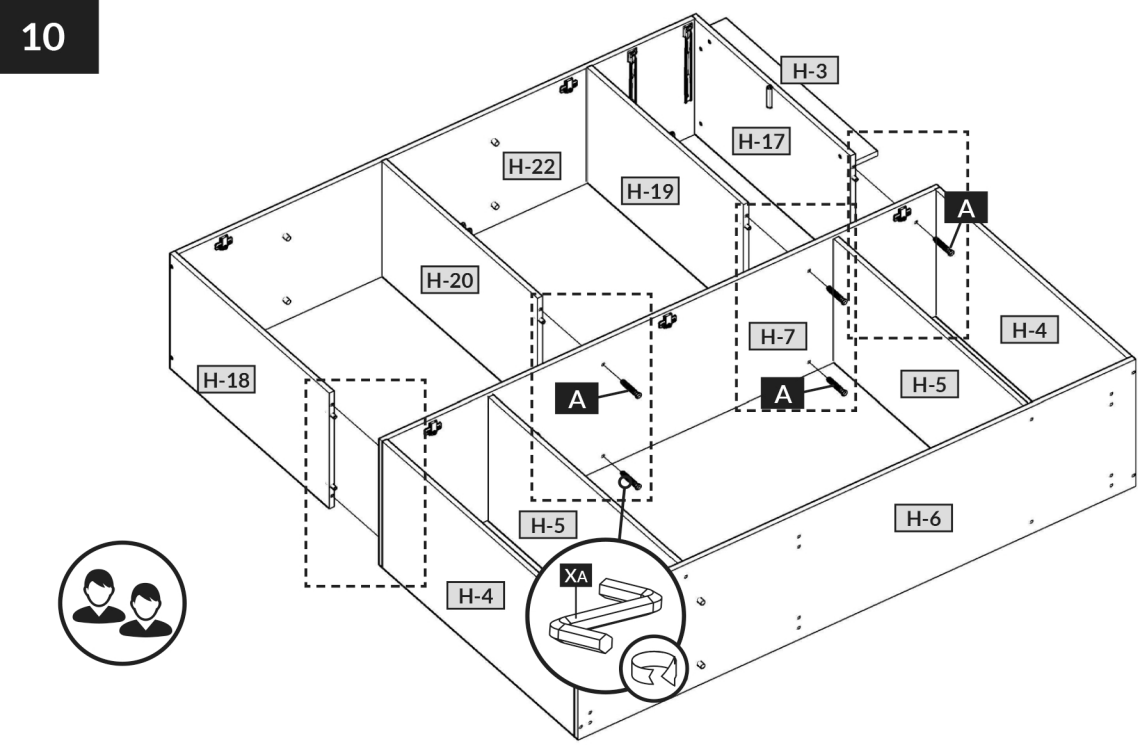
- B**
8 x 32 mm x 4
- DT**
x 2
- K**
L=450 mm x 2
- P**
x 4
- T3**
5 x 9 mm x 4
- U**
L=24,3 mm x 4

9



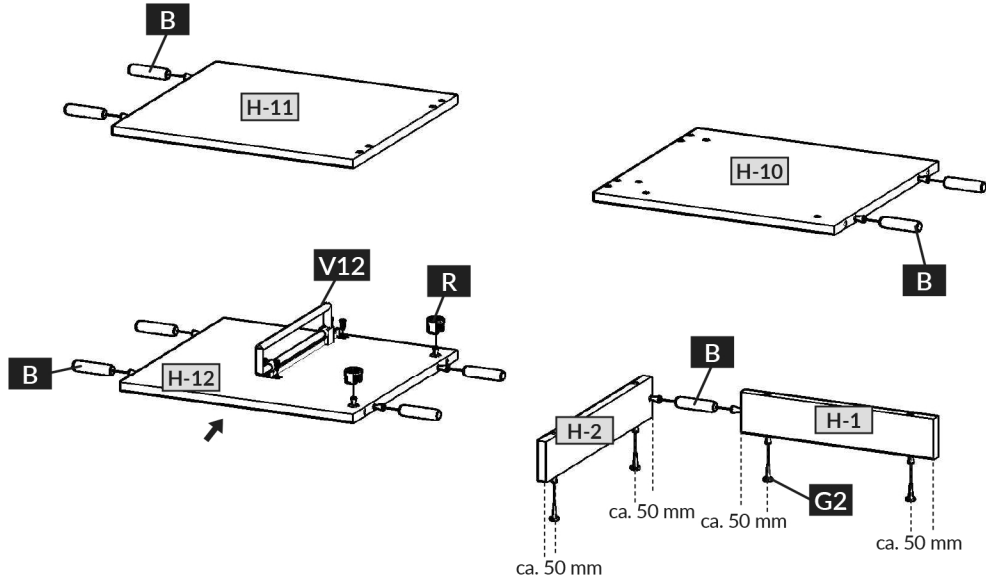
- A**
7 x 50 mm x 4
- XA**
x 1
- R**

10

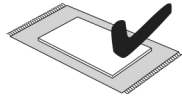
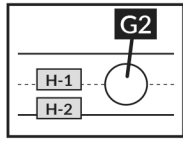
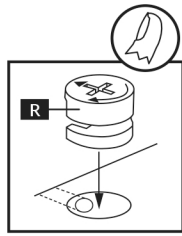
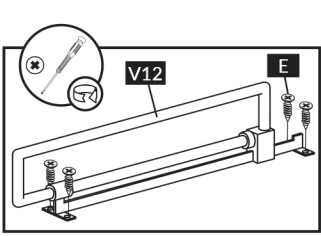


- A**
7 x 50 mm x 8
- XA**
x 1

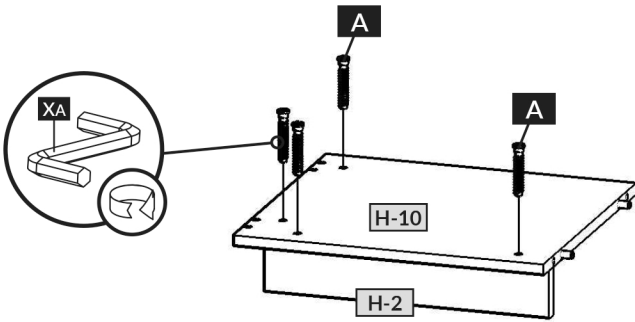
11



- B**
8 x 32 mm x 9
- E**
3,5 x 13 mm x 4
- G2**
x 4
- R**
H=11 mm x 2
- V12**
L=400 mm x 1

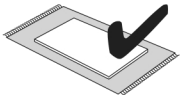


12

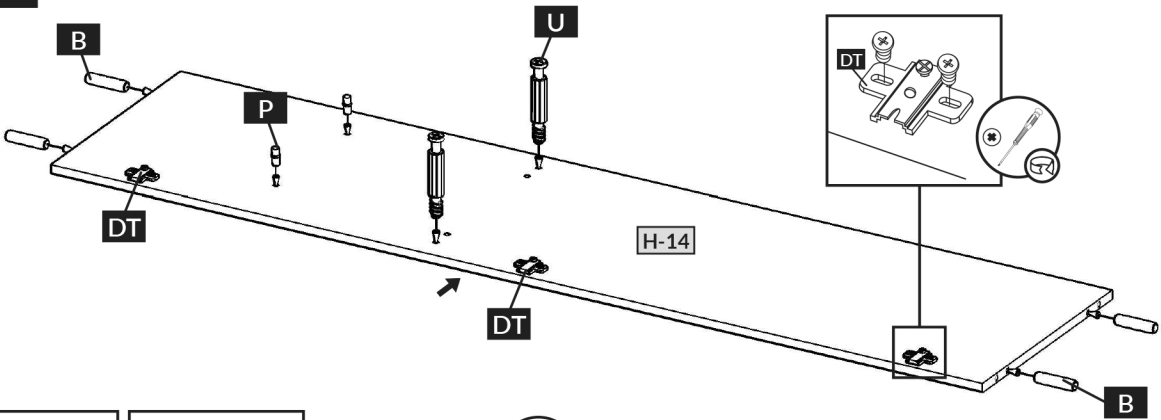


- A**
7 x 50 mm x 4

- XA**
x 1



13

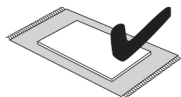
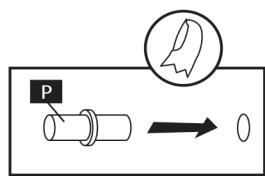
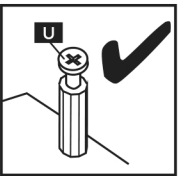
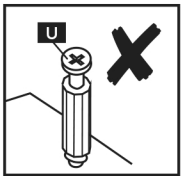


- B**
8 x 32 mm x 4

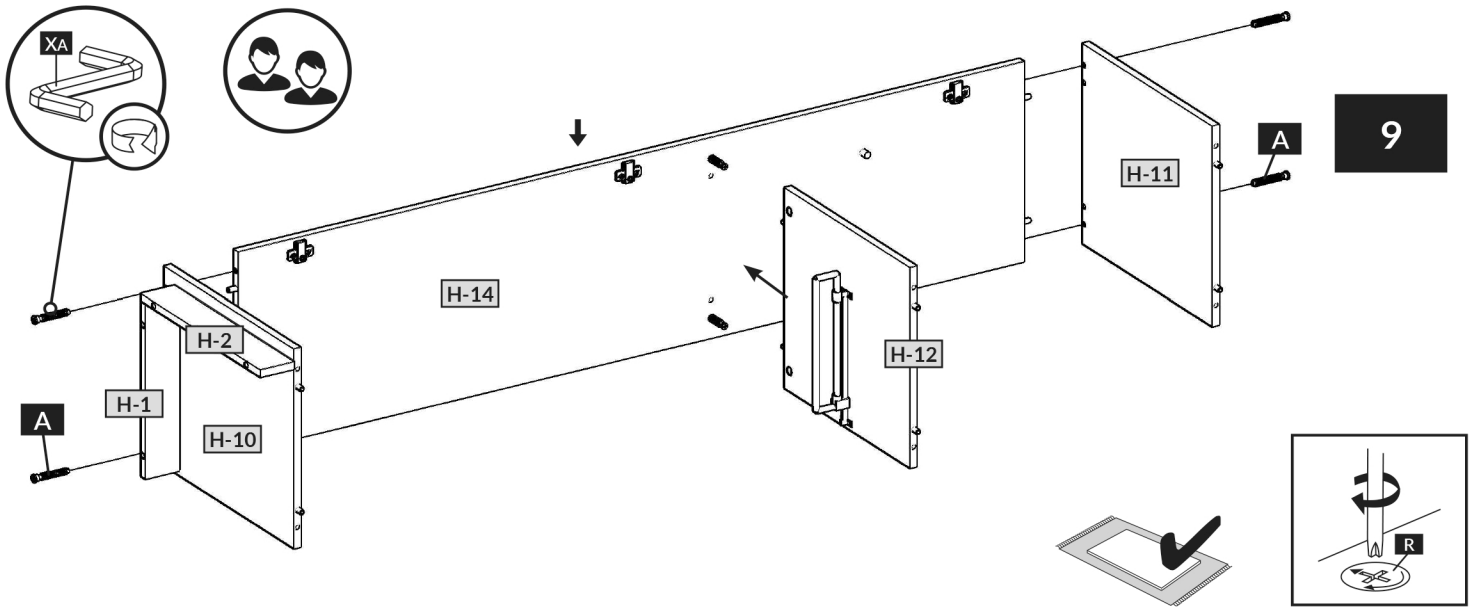
- DT**
x 3

- P**
x 2

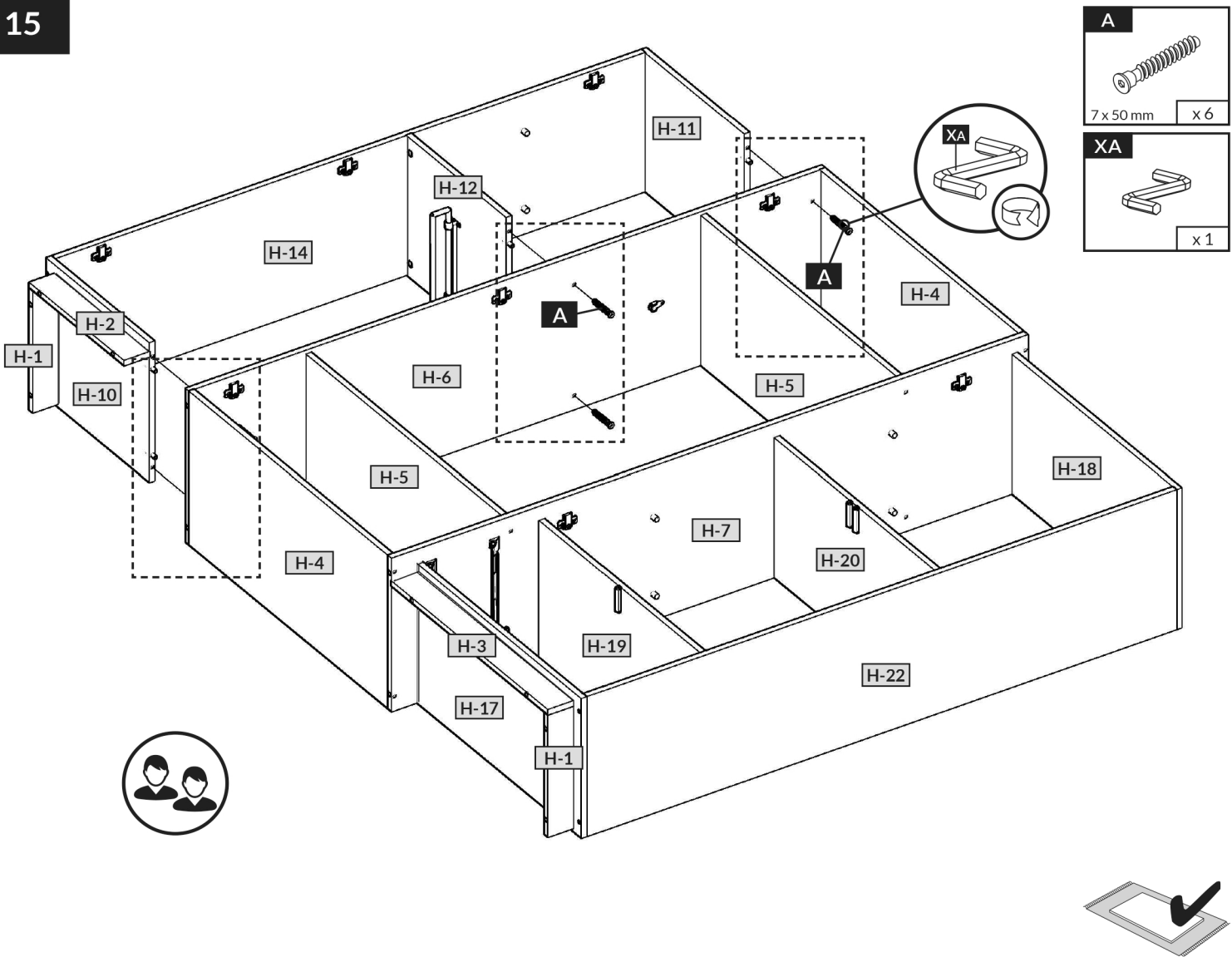
- U**
L=24,3 mm x 2

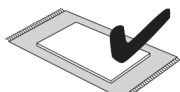
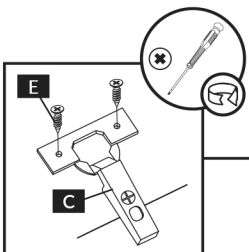
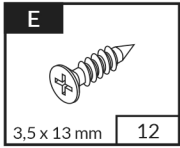
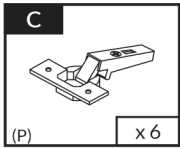
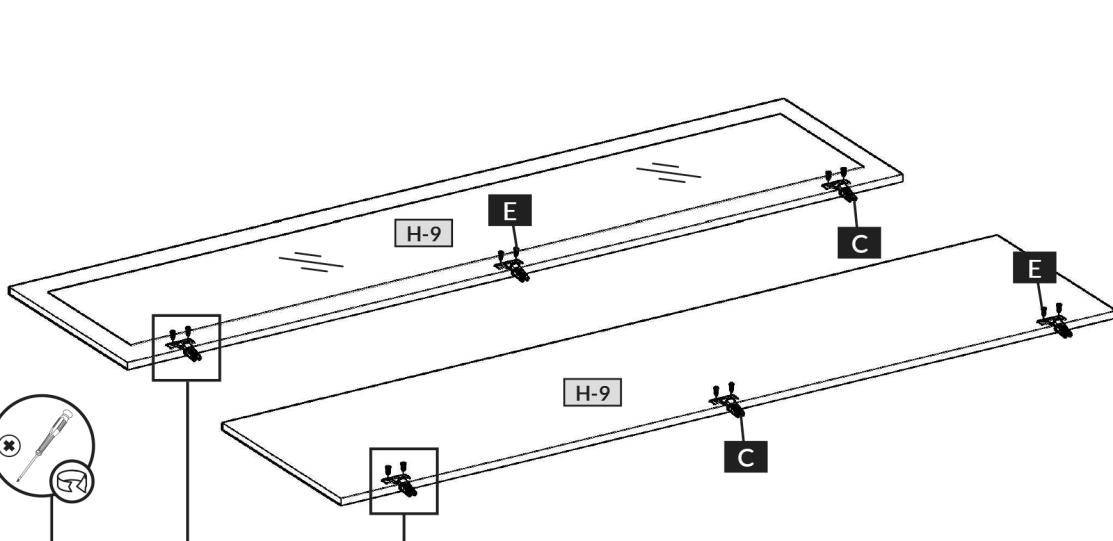
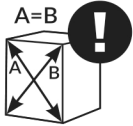
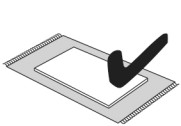
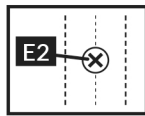
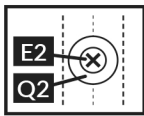
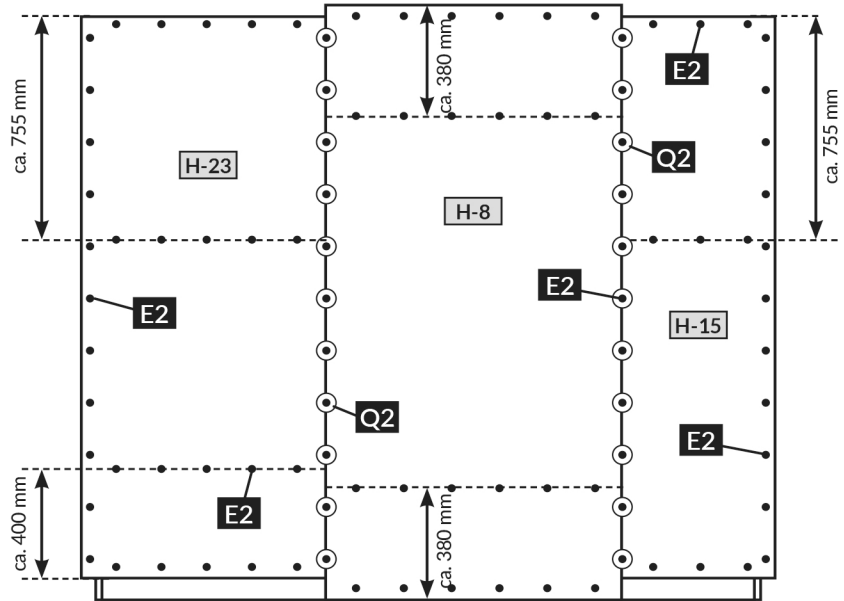
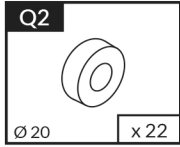
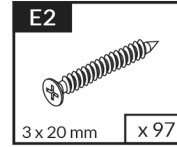
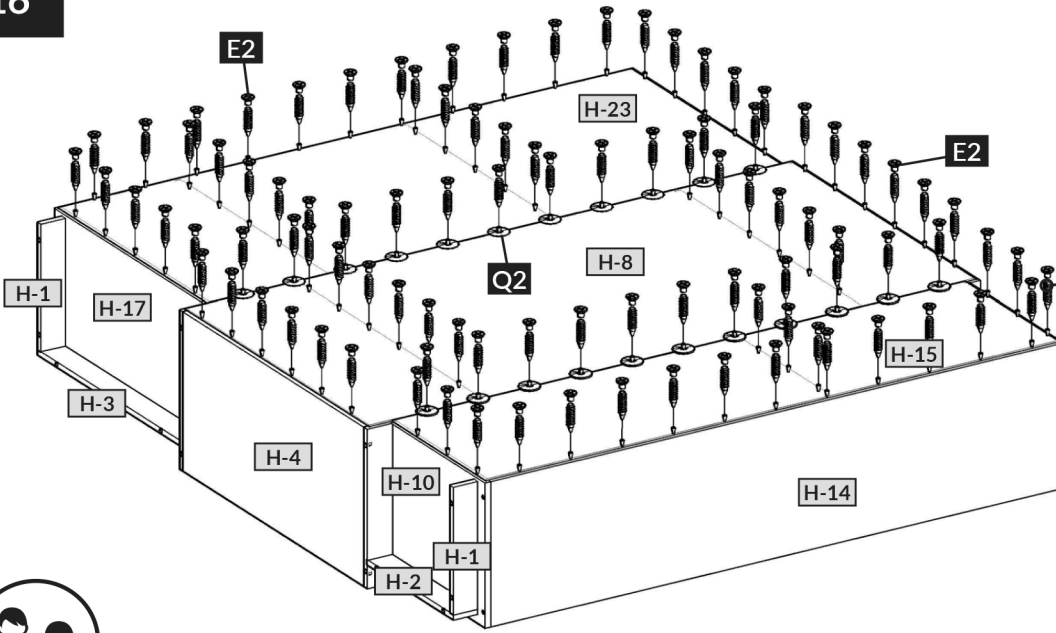


14

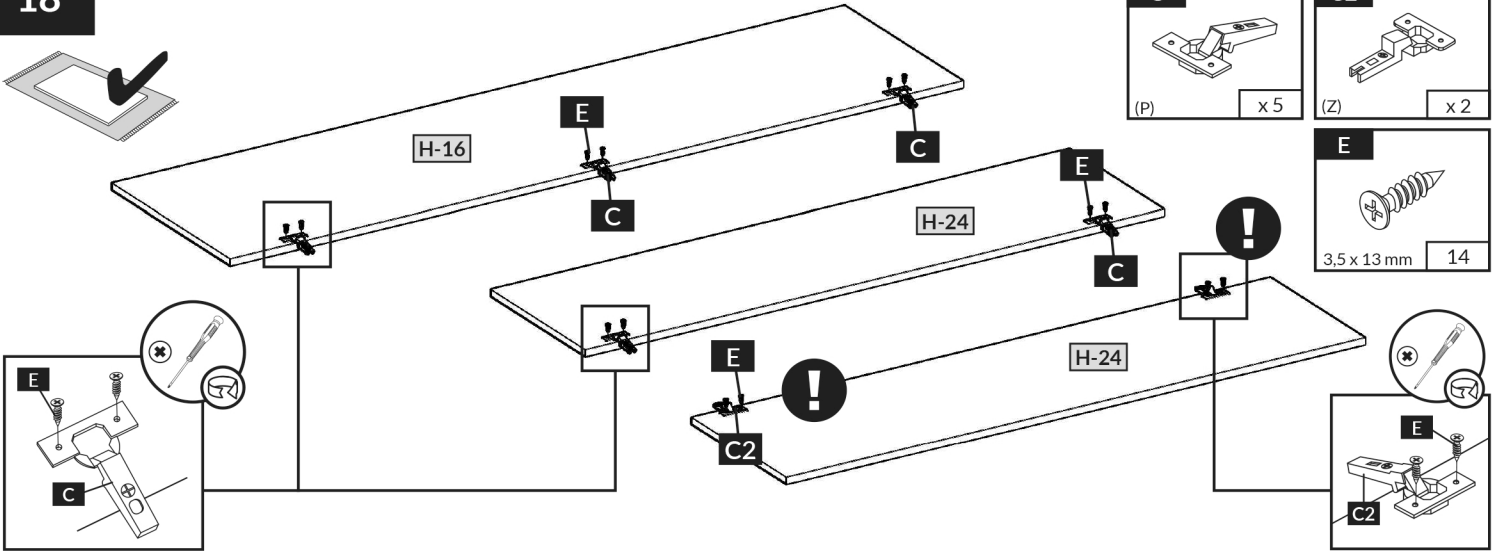


15

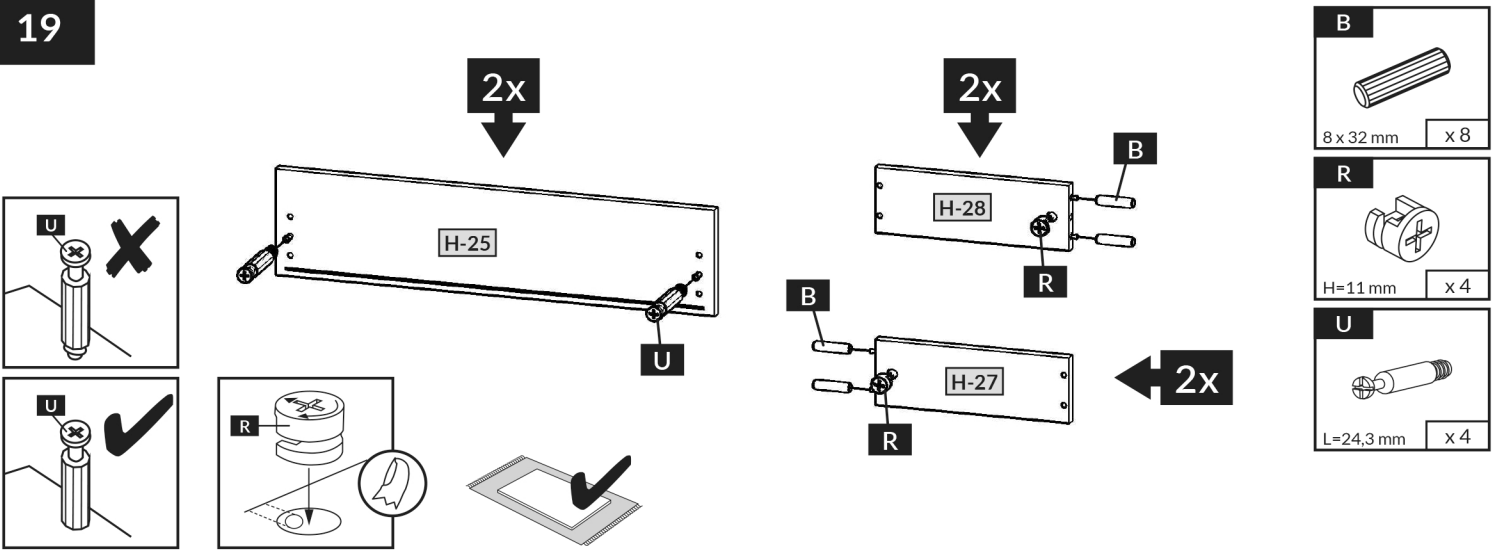




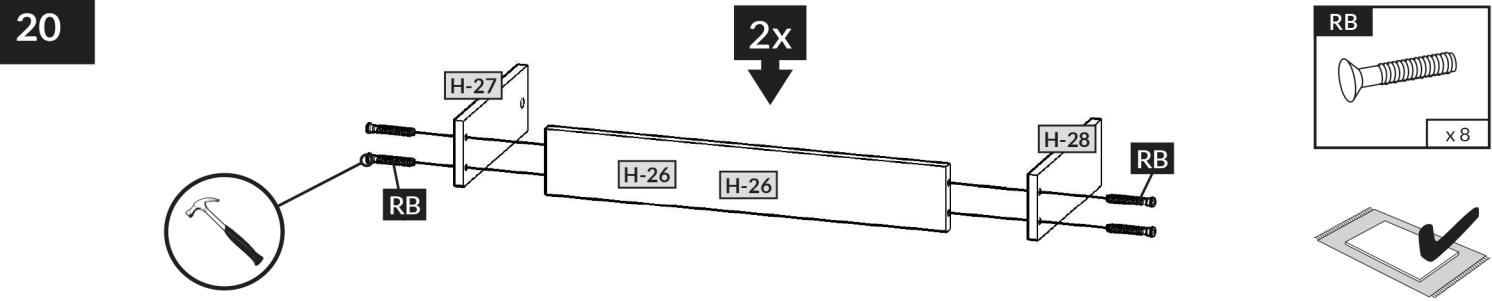
18



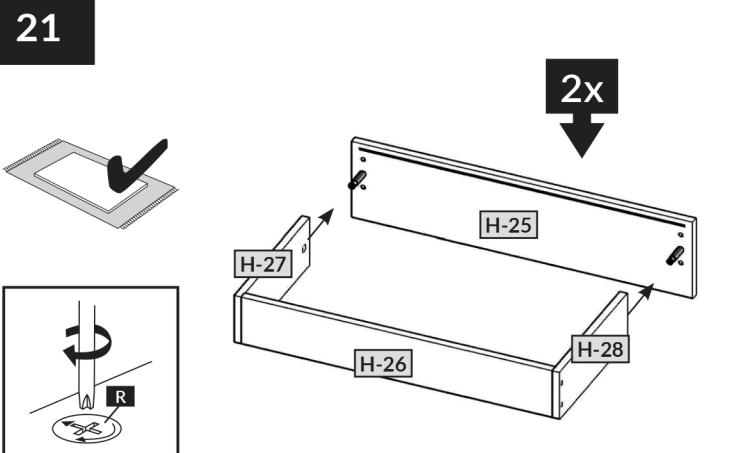
19



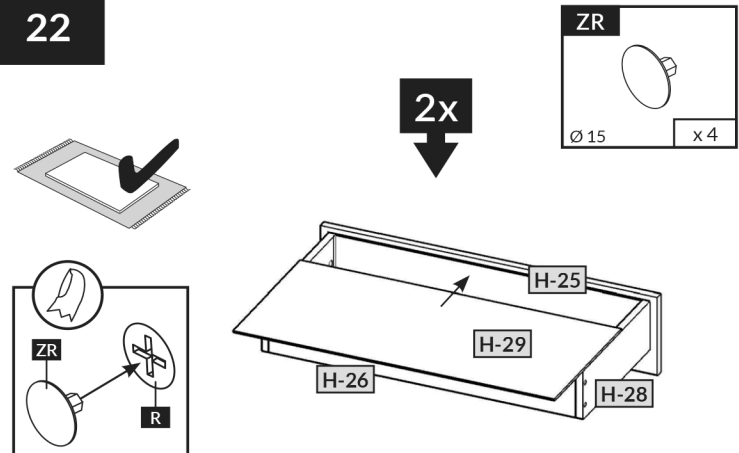
20



21



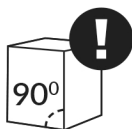
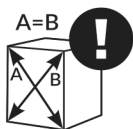
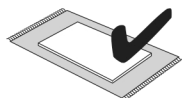
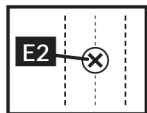
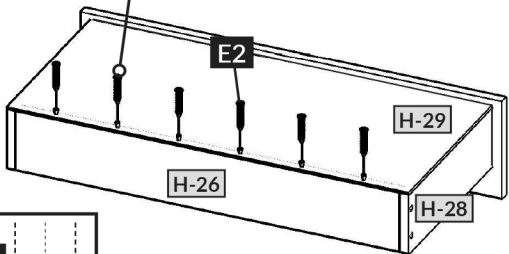
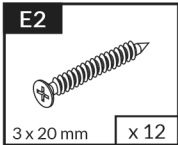
22



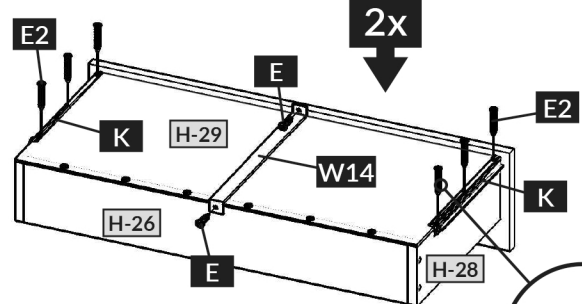
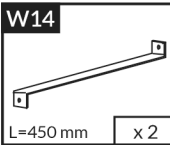
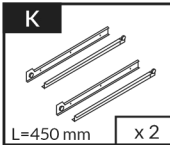
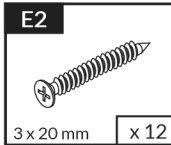
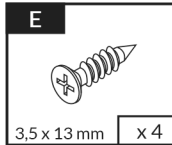
23



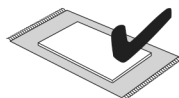
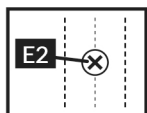
2x



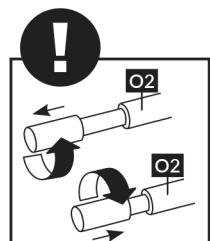
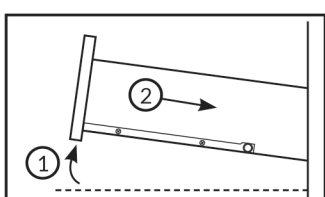
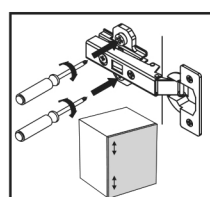
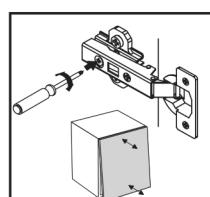
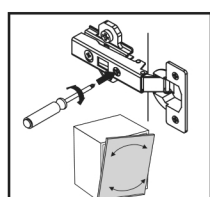
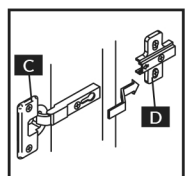
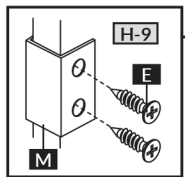
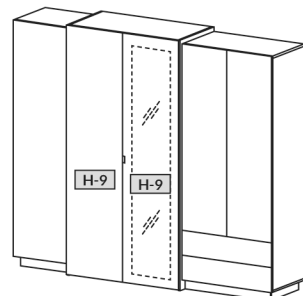
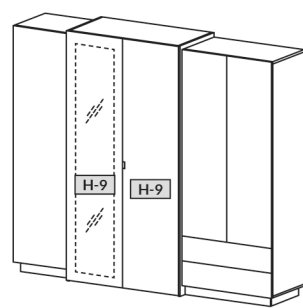
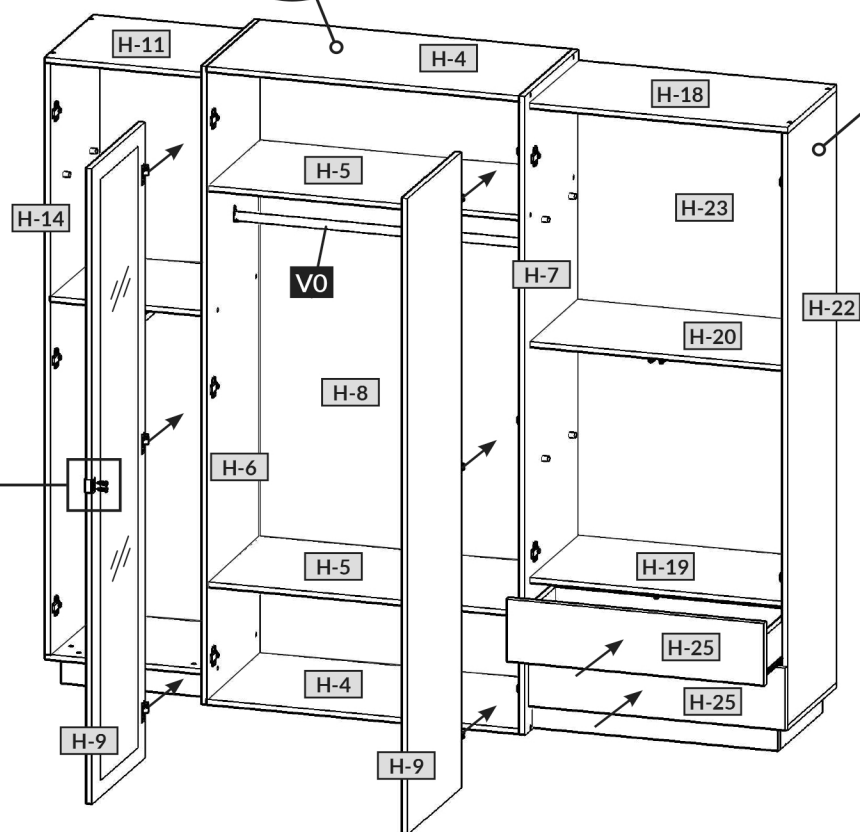
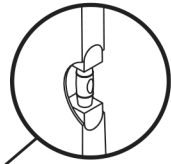
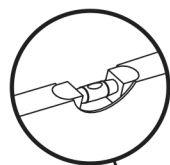
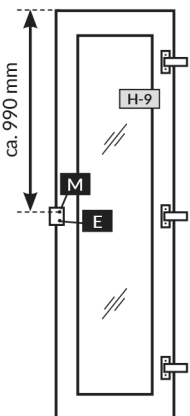
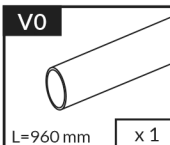
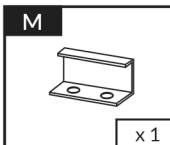
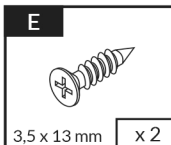
24



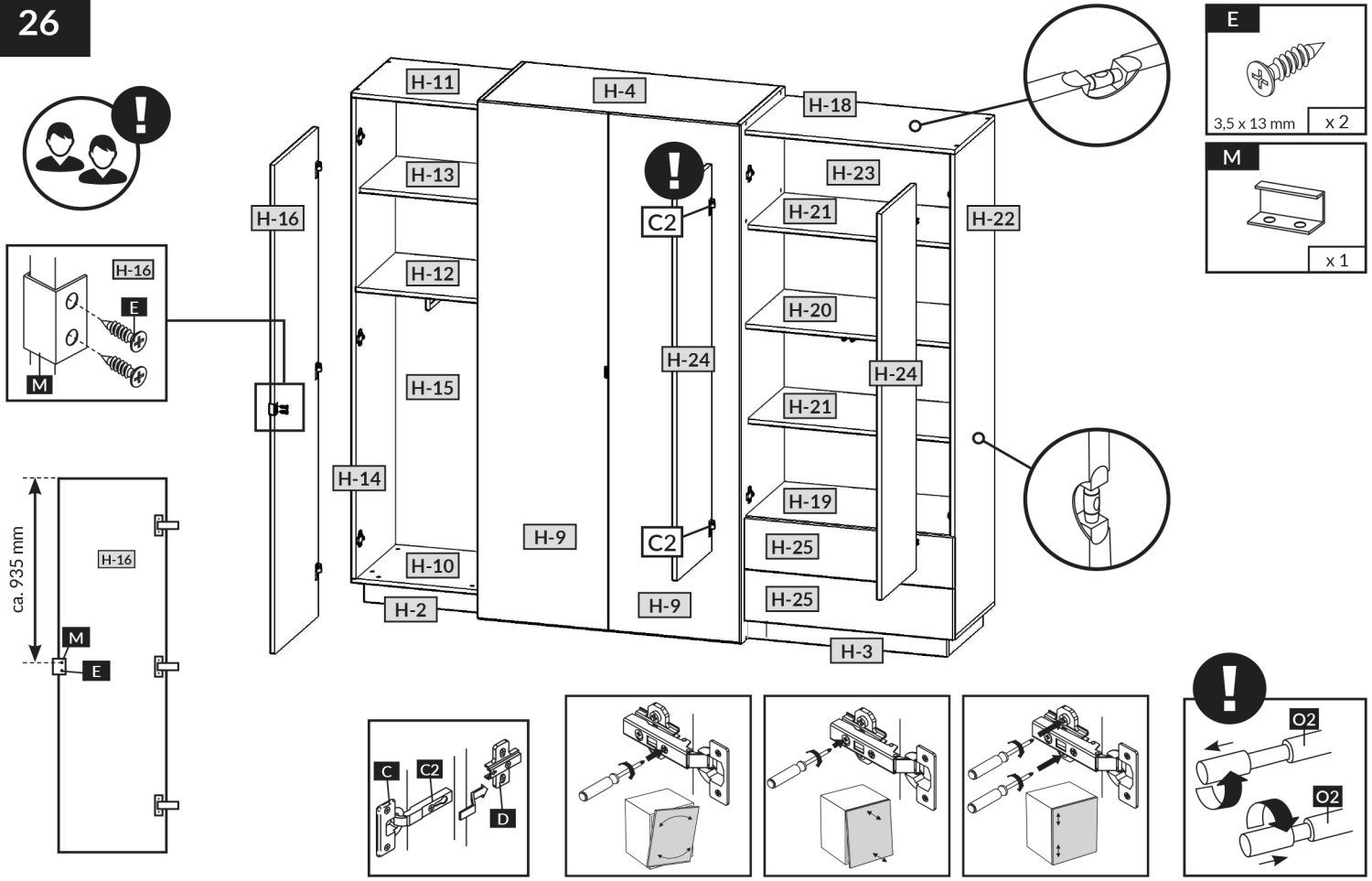
2x



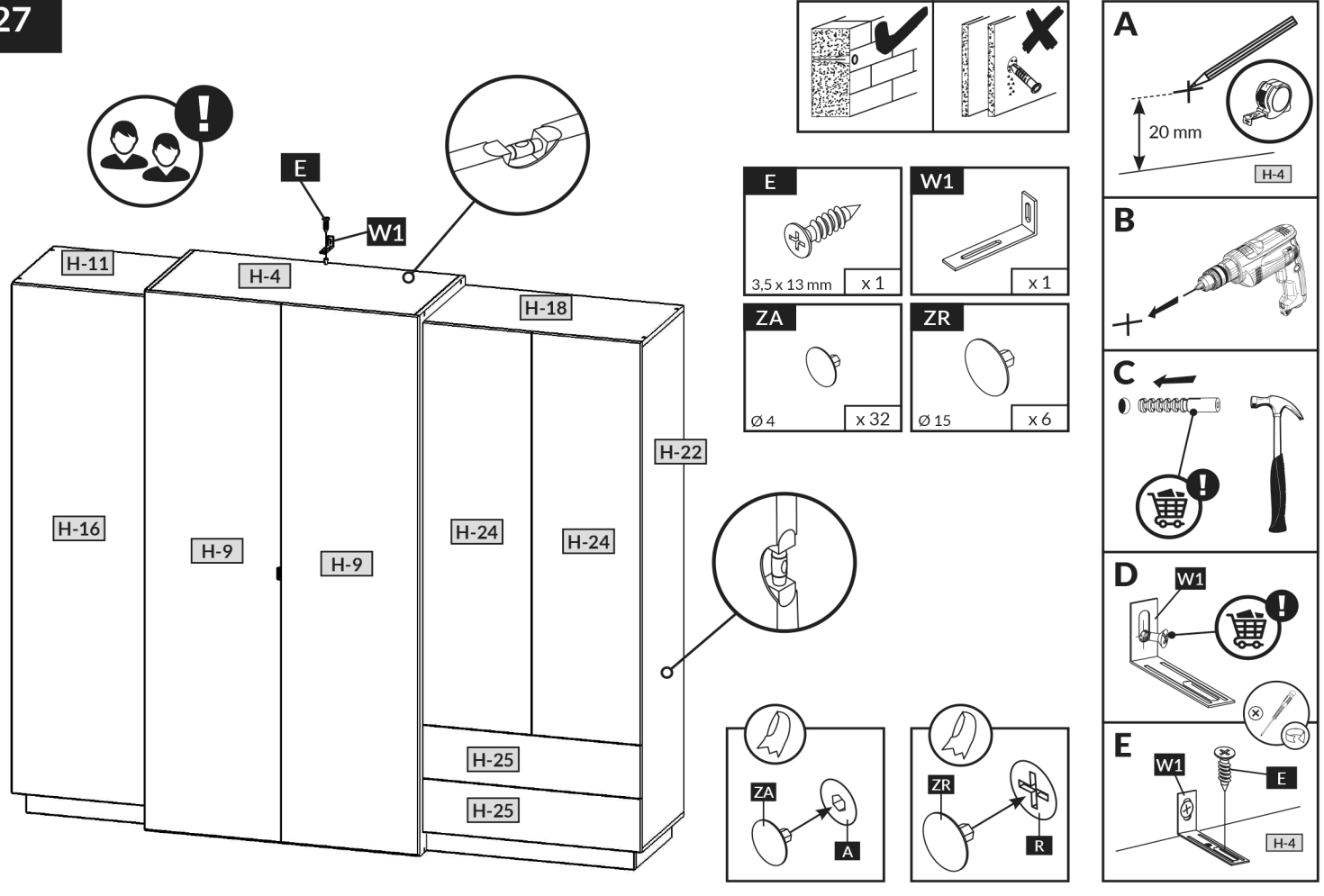
25

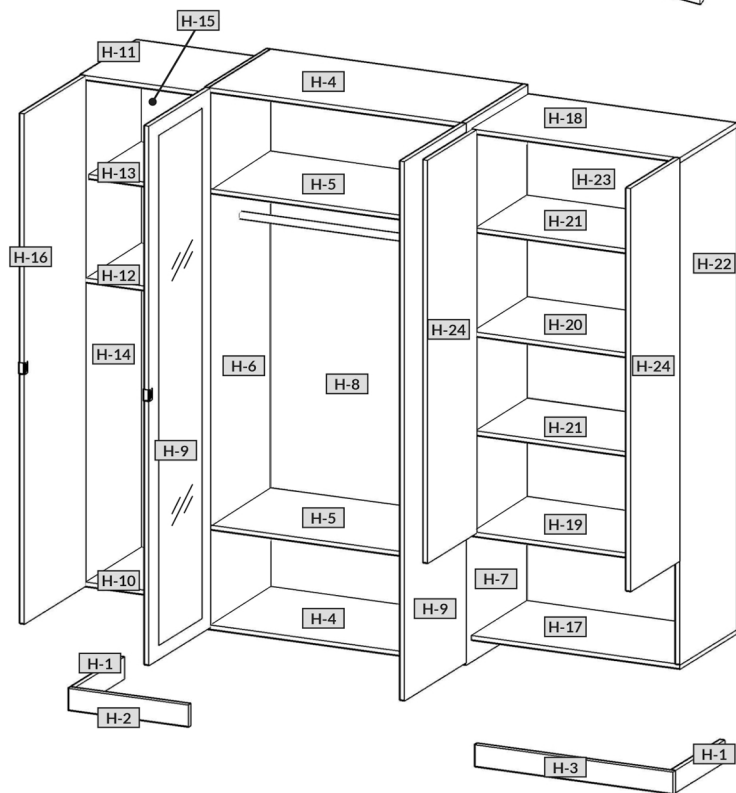
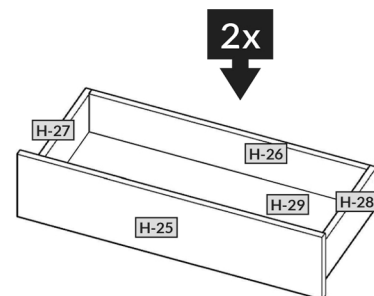
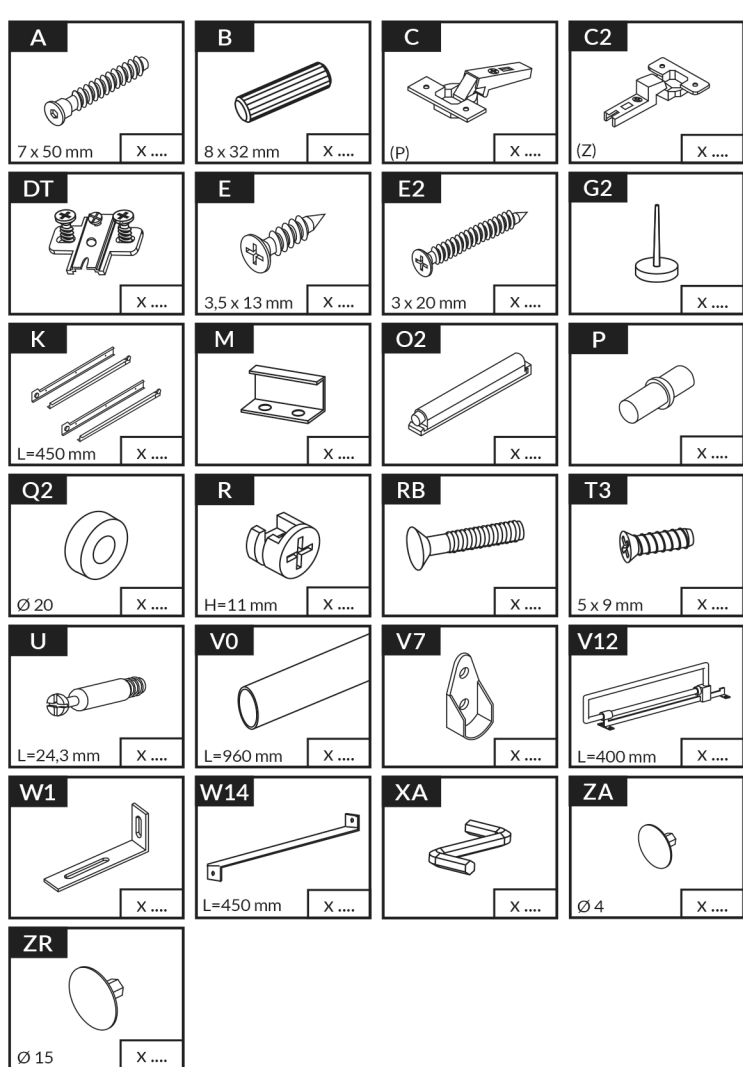


26



27





| | | | | | |
|------|------|-----|----|-----|-----|
| H-1 | 415 | 80 | 16 | x 2 | 3/4 |
| H-2 | 460 | 80 | 16 | x 1 | 4/4 |
| H-3 | 760 | 80 | 16 | x 1 | 3/4 |
| H-4 | 968 | 500 | 16 | x 2 | 3/4 |
| H-5 | 968 | 490 | 16 | x 2 | 3/4 |
| H-6 | 2018 | 500 | 16 | x 1 | 3/4 |
| H-7 | 2018 | 500 | 16 | x 1 | 3/4 |
| H-8 | 2015 | 982 | 3 | x 1 | 4/4 |
| H-9 | 2008 | 496 | 16 | x 2 | 4/4 |
| H-10 | 500 | 455 | 16 | x 1 | 4/4 |
| H-11 | 500 | 455 | 16 | x 1 | 4/4 |
| H-12 | 484 | 455 | 16 | x 1 | 4/4 |
| H-13 | 484 | 425 | 16 | x 1 | 4/4 |
| H-14 | 1872 | 455 | 16 | x 1 | 1/4 |
| H-15 | 1898 | 504 | 3 | x 1 | 3/4 |
| H-16 | 1900 | 496 | 16 | x 1 | 4/4 |
| H-17 | 800 | 455 | 16 | x 1 | 1/4 |
| H-18 | 800 | 455 | 16 | x 1 | 1/4 |
| H-19 | 784 | 455 | 16 | x 1 | 1/4 |
| H-20 | 784 | 455 | 16 | x 1 | 1/4 |

| | | | | | |
|------|------|-----|----|-----|-----|
| H-21 | 784 | 425 | 16 | x 2 | 2/4 |
| H-22 | 1872 | 455 | 16 | X 1 | 1/4 |
| H-23 | 1898 | 805 | 3 | x 1 | 3/4 |
| H-24 | 1500 | 396 | 16 | x 2 | 2/4 |
| H-25 | 796 | 196 | 16 | x 2 | 2/4 |
| H-26 | 727 | 120 | 16 | x 2 | 2/4 |
| H-27 | 450 | 120 | 16 | x 2 | 1/4 |
| H-28 | 450 | 120 | 16 | x 2 | 1/4 |
| H-29 | 757 | 456 | 3 | x 2 | 1/4 |

